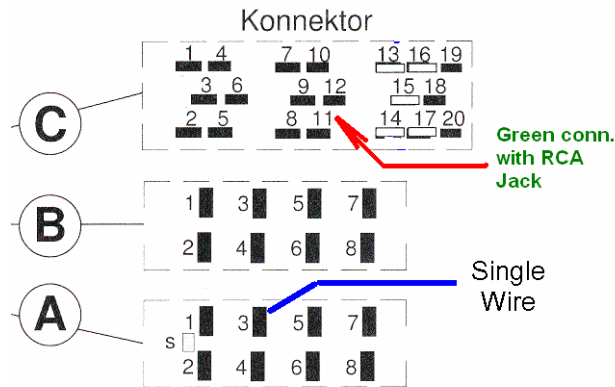


## Instructions for Installing Phone Mute, and Phone Audio.

### Application: Crossfire radio model 6806 and Porsche CDR 23 6611 / 6612 / 6627

- Remove the head unit from the dashboard utilizing supplied keys.
- Locate the single wire from the cable kit and insert it into **pin #3 of the A Socket** as found on diagram below. This wire will activate the Phone Mute and Audio circuits of the radio when properly connected to the mute trigger lead of your phone.
- Locate the **single red tipped female RCA jack** from the modification kit.
- Insert the supplied C Block (green connector) into the respective 7 –12 connection on the upper connector strip of your radio.



### To select phone input:

- Turn radio ON.
- Once a station is displayed, press the **OPT button (Crossfire)** or the **MENU button (Porsche)** and hold it for three (3) seconds.
- **USER 1** will display
- Press the right round knob inward three (3) times until **PH MUTE** displays.
- Rotate the right round knob until **AUDIO PH** is displayed.
- Allow the radio to retain that setting for approximately five (5) seconds and it will automatically set.

Once the Phone Mute (A Block pin 3) wire is connected, the phone will automatically mute the radio and allow the phone audio input fed through the C Block pins 7 and 12 to be heard through the vehicle speaker system.