



Wilderness Jeep Expedition Rack

Part #: 34098

Parts List

2-Rack Ends(4'6" x 4")
2-Sides(48" x 4")
7-Floors(66")
4-Top Crossbar Brackets
2-Front Support Brackets(Right & Left)

2-Rear Support Brackets(Right & Left)
2-Top Support Brackets
2-Lower Support Brackets(Right & Left)
2-Inside Support Angles
2-Tilt Support Brackets

Rack and Flooring

14-Black End Caps
14-1/4 x 1 1/2 Bolts
14-1/4 Lockwashers
14-1/4 H.D. Flatwashers(1 1/4" Dia.)
8-5/16 x 1 Bolts
8-5/16 Nylon Locknuts
16-5/16 Flatwashers(9/16" Dia.)

License Plate

2-1/4 x 3/4 Bolts
2-1/4 Flatwashers
2-1/4 Nylon Locknuts

Roof Rack Top Mounting

4-3/8 x 2 Carriage Bolts
4-3/8 H.D. Flatwashers(1 3/8" Dia.)
4-3/8 Regular Nylon Locknuts

Tilt Brackets

4-5/16 x 2 All Thread Bolts
4-5/16 Nuts
2-5/16 Wingnuts

Front Support Brackets

6-5/16 x 1 1/4 Bolts
6-5/16 Lockwashers
6-5/16 Flatwashers
6-3/8 Nylon Washers(1 1/8" Dia.)

Lower Support & Top Support

6-5/16 x 1 Carriage Bolts
2-5/16 x 1 Bolts
10-5/16 Flatwashers
8-5/16 Nylon Locknuts
4-5/16 Nylon Washers

Roof Rack Rear Support

4-3/8 x 2 1/4 Bolts
8-3/8 Flatwashers(1" Dia.)
6-3/8 Nylon Washers(1 1/8" Dia.)
4-3/8 Regular Nylon Locknuts



Wilderness Jeep Expedition Rack

Part# 34098

Installation Instructions

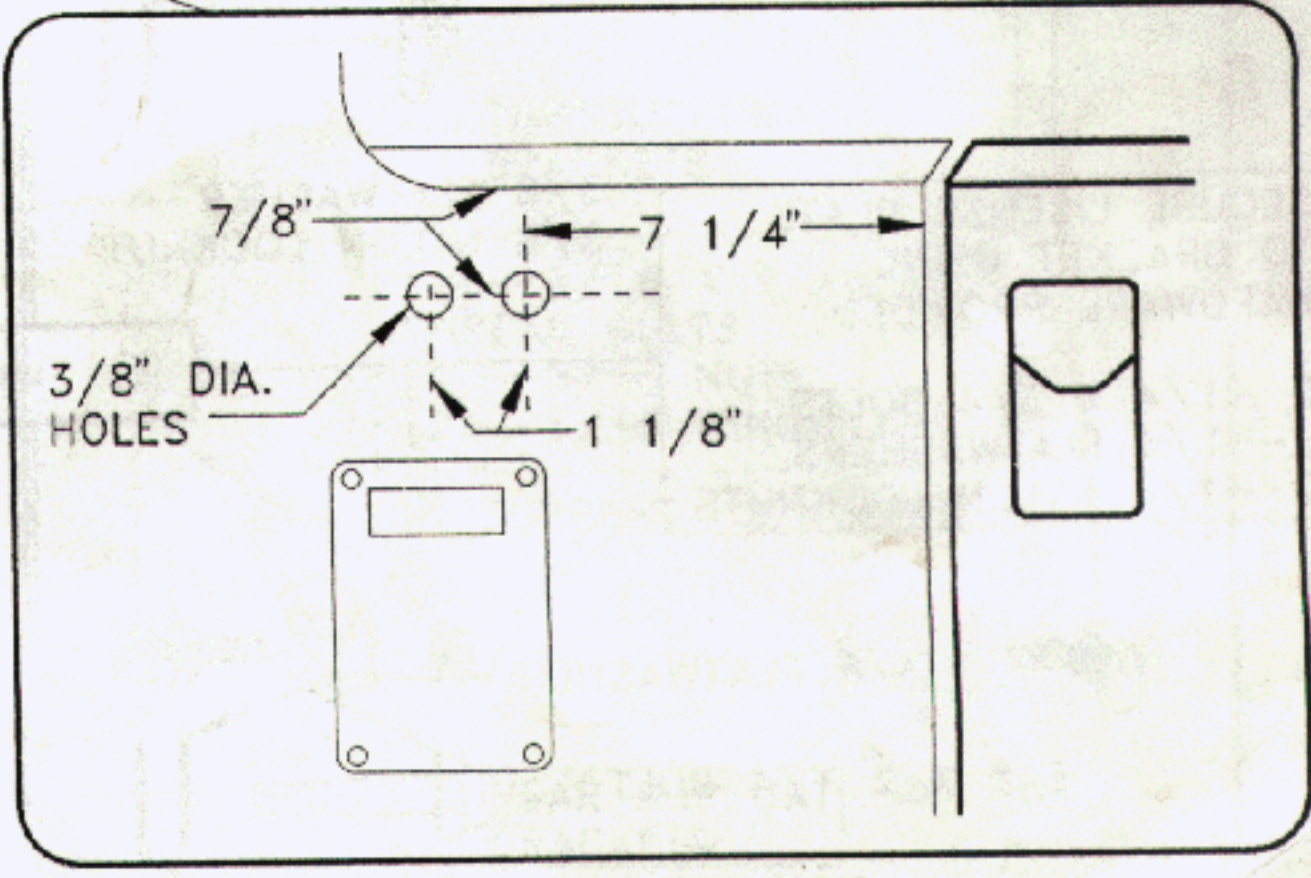
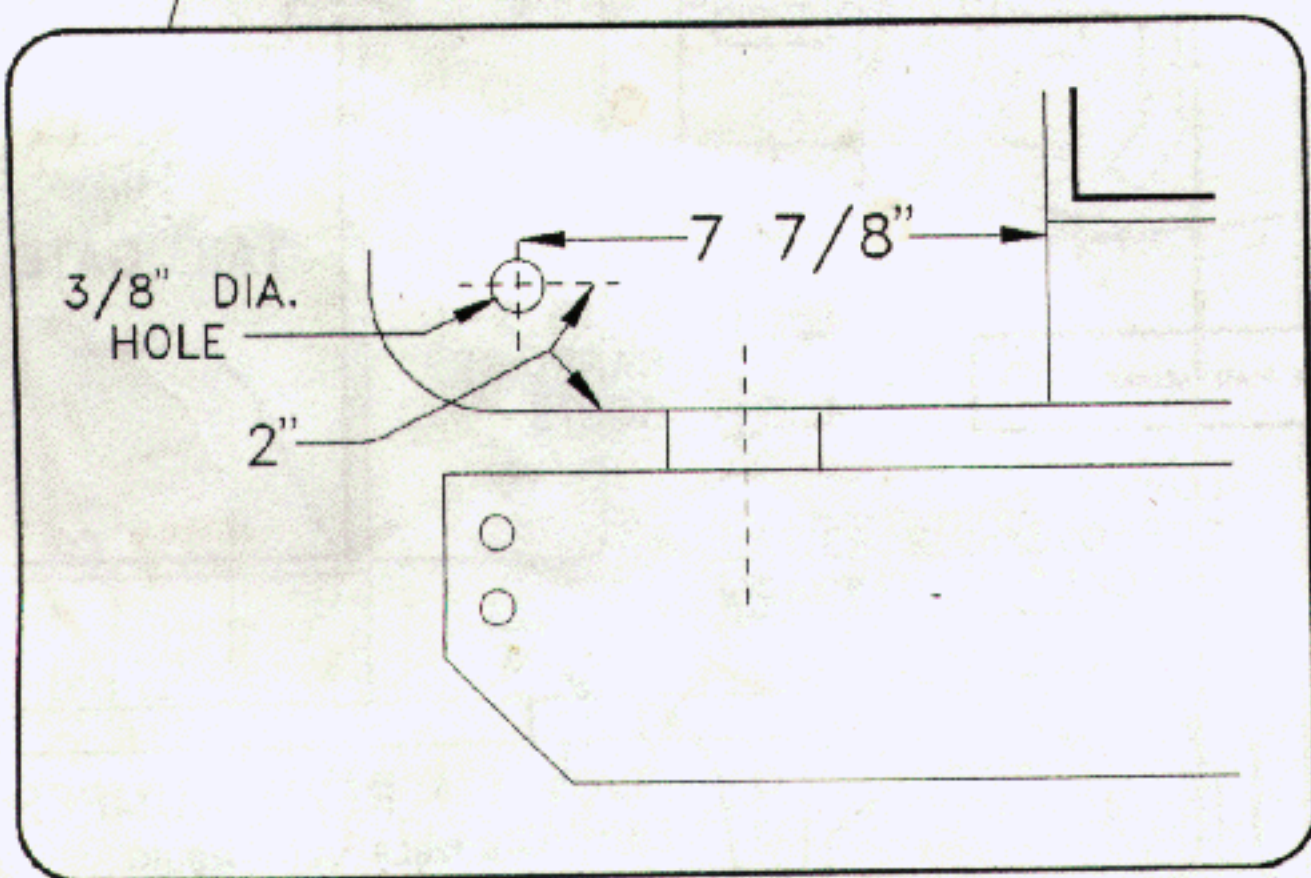
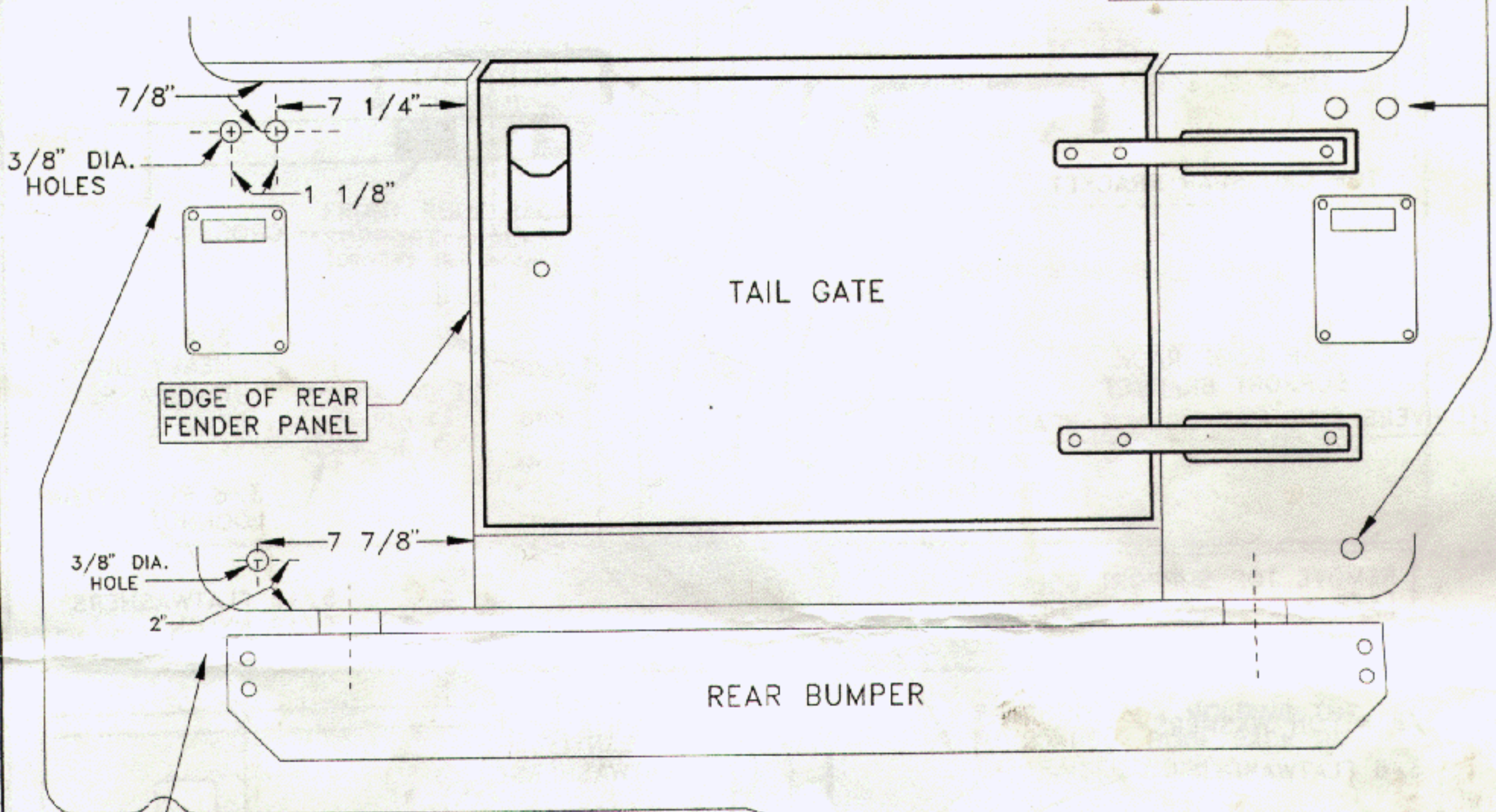
1. Remove license plate and holder(10mm socket), re-install factory bolts in holes.
2. Measure and drill 6-3/8" dia. Holes as shown on page 2 Please double check measurements before drilling holes. ³
3. Remove the two rear body mount bolts, LOOSEN the other body mount bolts, use a bar to raise one side of the body mount. Slide the large hole in the lower support bracket between the body and the top of the rubber mount. Line up the square hole with the 3/8" dia. hole in body, and install the 5/16 x 1 carriage bolt as shown on page 4. Re-install body mount bolts.
4. Install the inside support angle bracket to the lower support bracket, as shown on page 5(Figure B)
5. Align and tighten all mounting bolts and re-tighten ALL body mount bolts.
6. Install top support brackets as shown on page 4 and page 5, figure B. Slightly tighten to hold in place for later adjustment.
7. Install rear roof rack support brackets to lower support bracket and top support bracket, as shown on page 4. Slightly tighten to hold in place.
8. Remove the 3 top screws from outside front windshield hinge(T-40 Torq®) install front roof rack support brackets and nylon washers as shown on page 5, figure A. ALIGN AS SHOWN and tighten all bolts.
9. Assemble roof rack and flooring as shown on page 6. Align and tighten all hardware.
10. With some help, set the assembled rack on the four roof rack support brackets and secure as shown on page 4 and page 5, figure A. Please note, the four light mounting bracket holes go toward the front. Align and tighten all four mounting bolts.
11. Re-align top support brackets and tighten all fasteners.
12. Install license plate to bracket, as shown on page 4.
13. Assemble the tilt support brackets as shown on page 5, figure C. Store tilt support brackets in a convenient area inside Jeep:
14. To raise the rack for lowering the soft-top or removing the hardtop:
 - a) Unload rack.
 - b) Remove front mounting bolts, page 5, figure A.
 - c) Remove rear top support bracket bolts(3/8 x 2 1/4 Bolts)
 - d) Grab the roof rack in the center of the rear rack end and pull toward you. The rack will pivot on the two bolts secured on the lower support bracket.
 - e) To hold the rack in the raised position, install the two tilt support brackets, as shown on page 5, figure C. Secure with the wingnuts as shown.

GI GARVIN INDUSTRIES WILDERNESS ROOF RACK

JEEP EXPEDITION ROOF RACK PART# 34087 AND 34098

INSTRUCTIONS FOR DRILLING 6 $\frac{3}{8}$ " DIA. HOLES
IN REAR OF JEEP
[3 IN EACH SIDE]

USE SAME MEASUREMENTS AS DRIVERS SIDE FOR $\frac{3}{8}$ " DIA. MOUNTING HOLES.



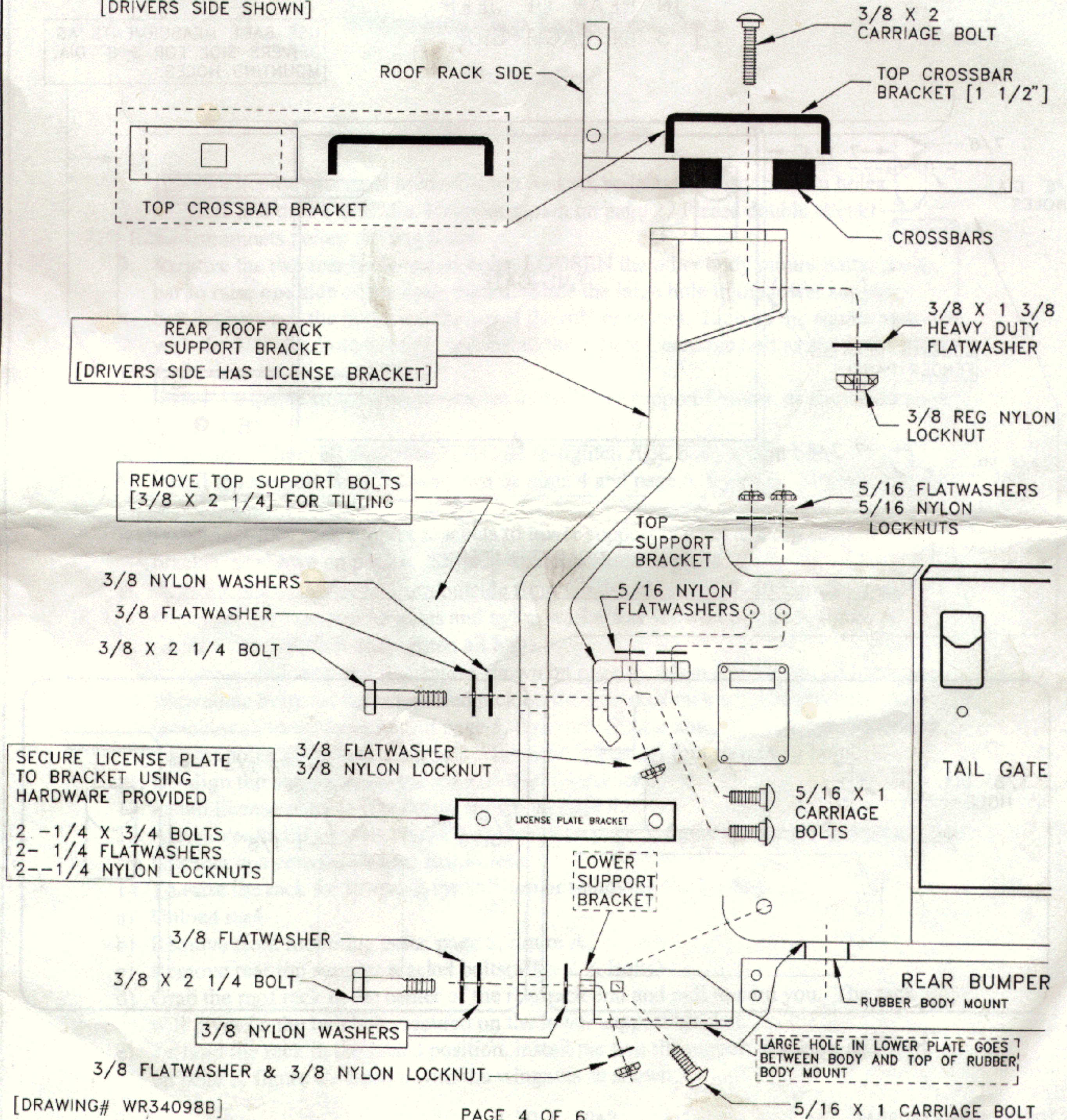


WILDERNESS ROOF RACK

JEEP EXPEDITION RACK PART#S 34087 AND 34098
REAR BRACKETS AND REAR ROOF RACK SUPPORTS

INSTALLATION INSTRUCTIONS

[DRIVERS SIDE SHOWN]



[DRAWING# WR34098B]

PAGE 4 OF 6

MFG. BY GARVIN INDUSTRIES 316 MILLAR AVE. EL CAJON, CA. 92020 [619]-440-7415

FIGURE A

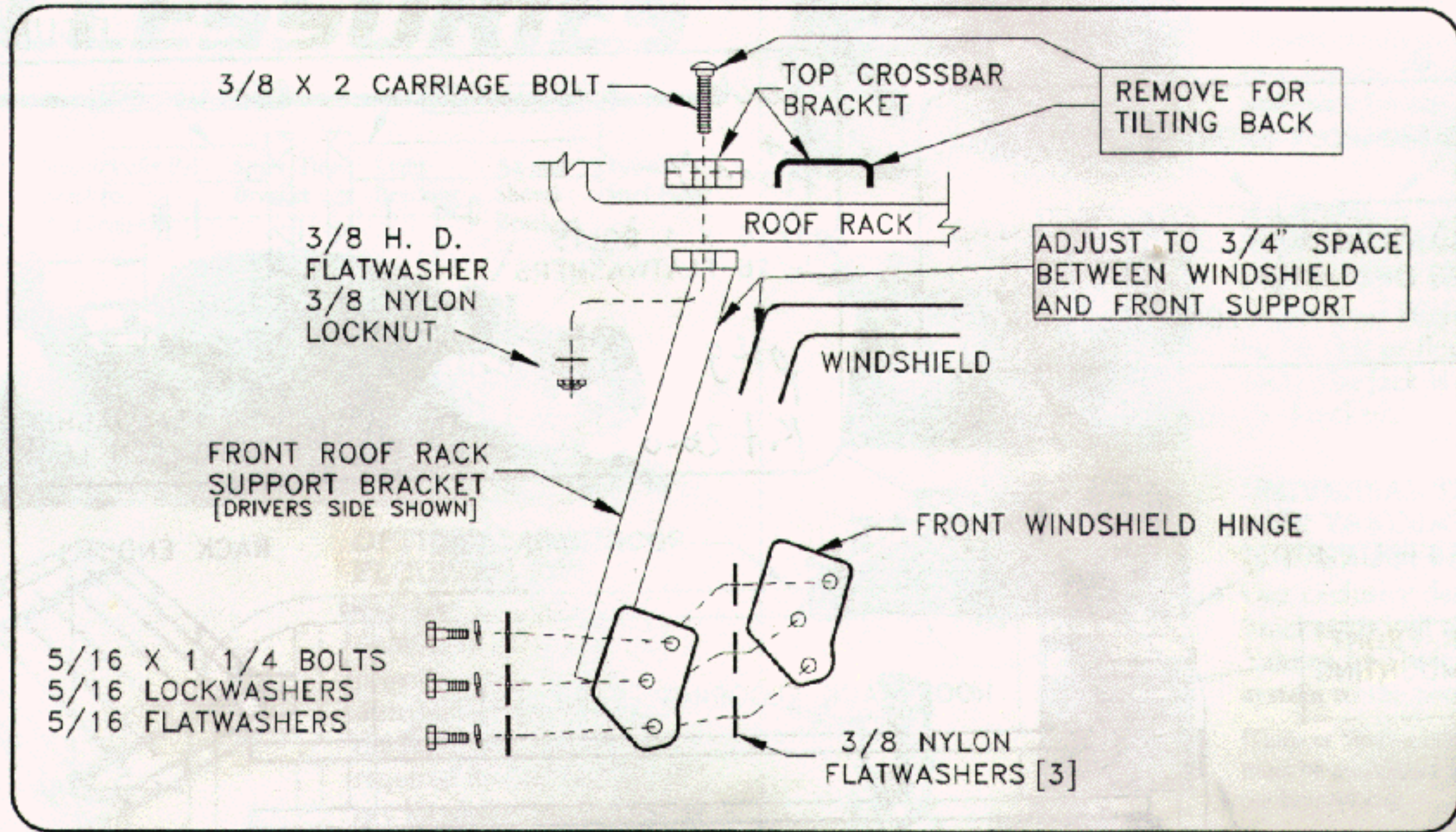


FIGURE B

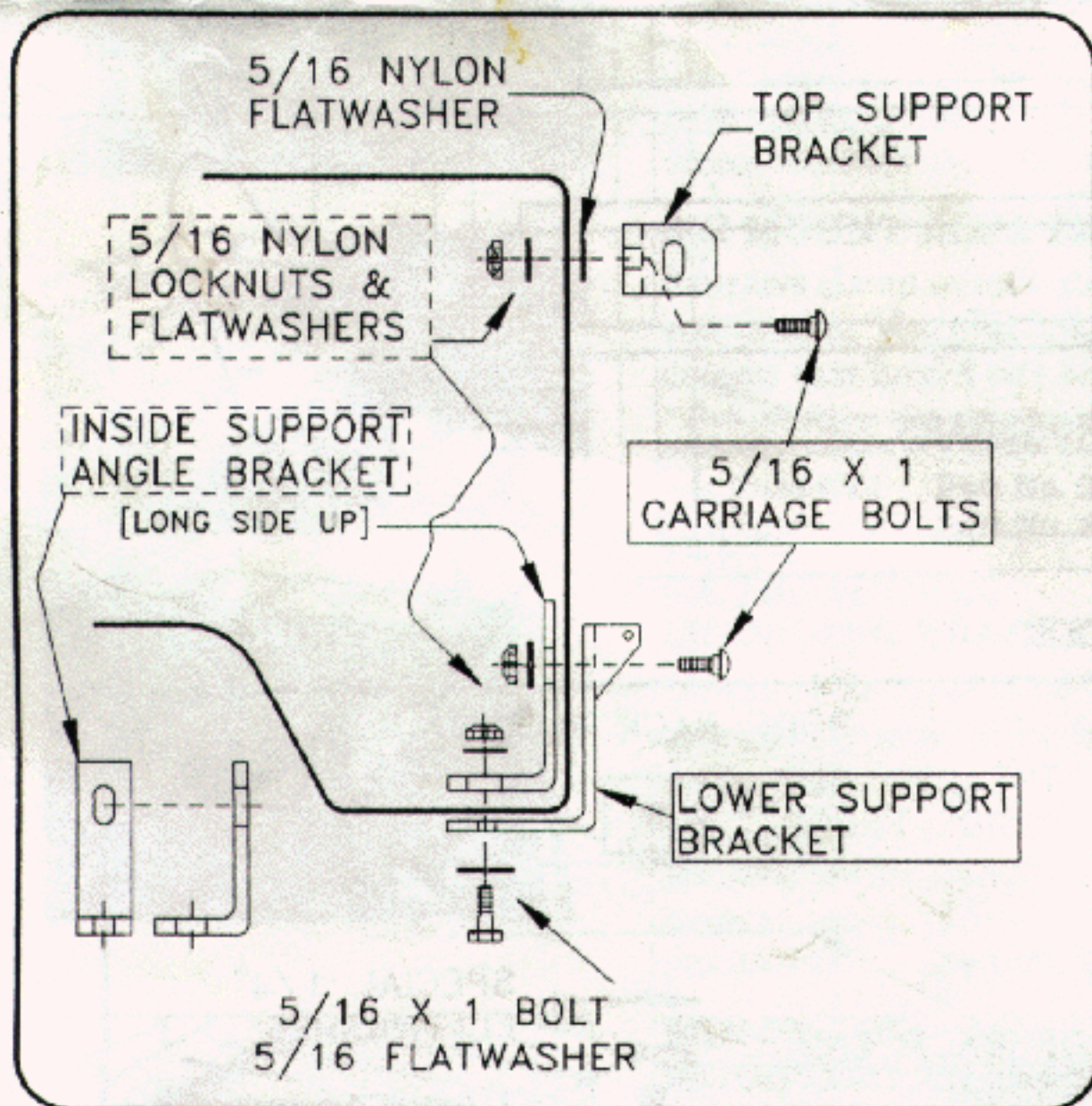


FIGURE C

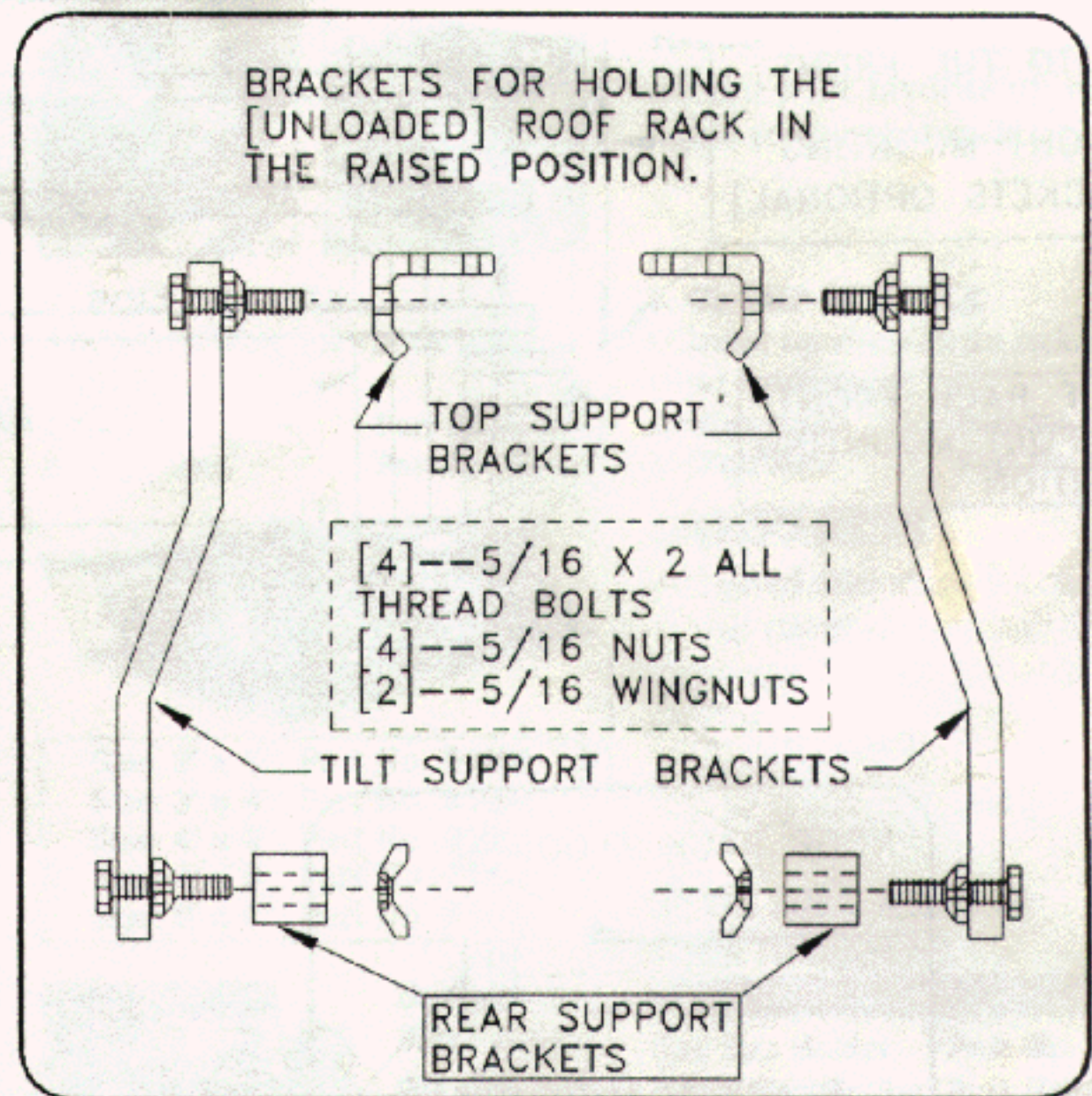


FIGURE E

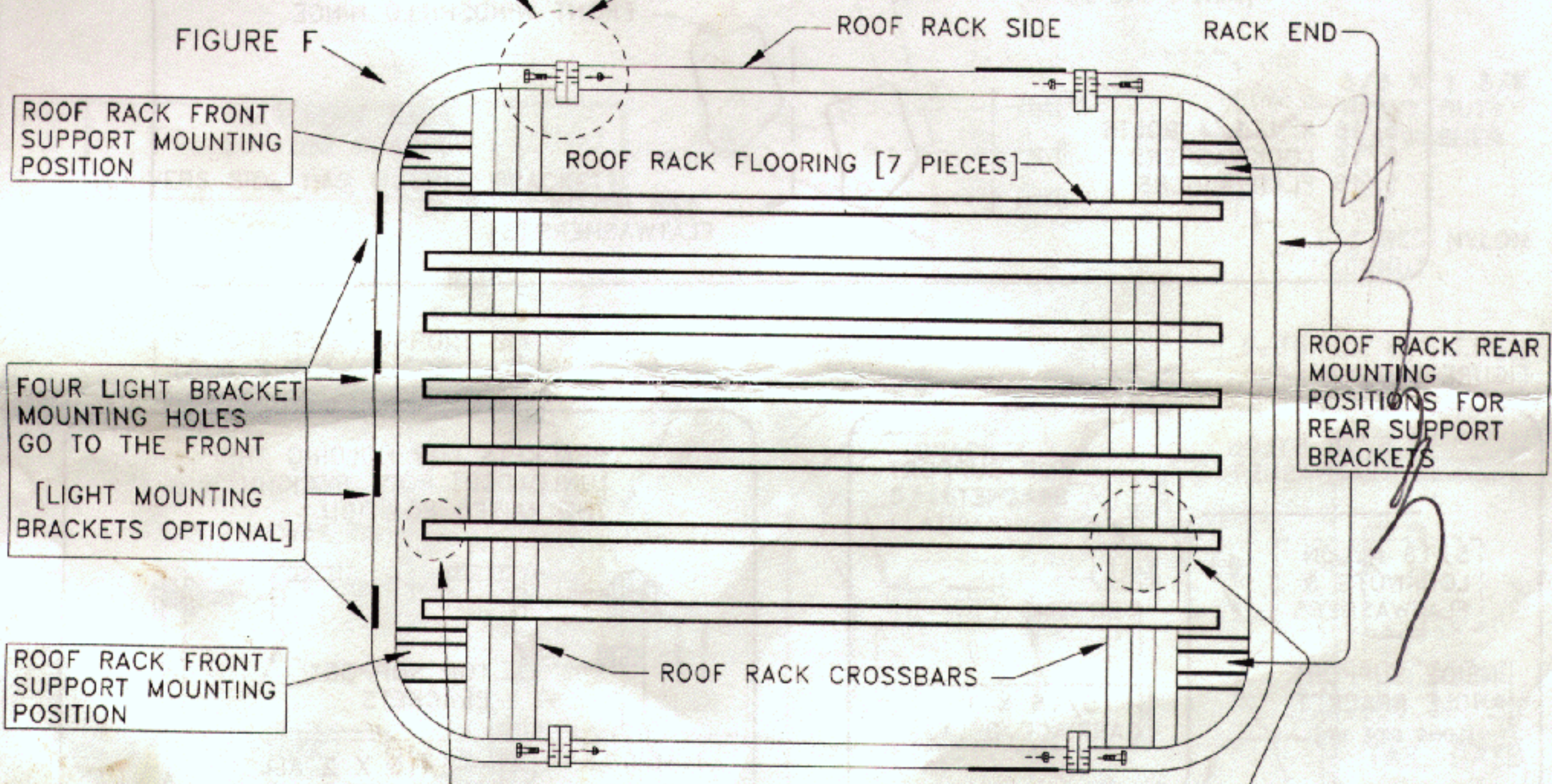
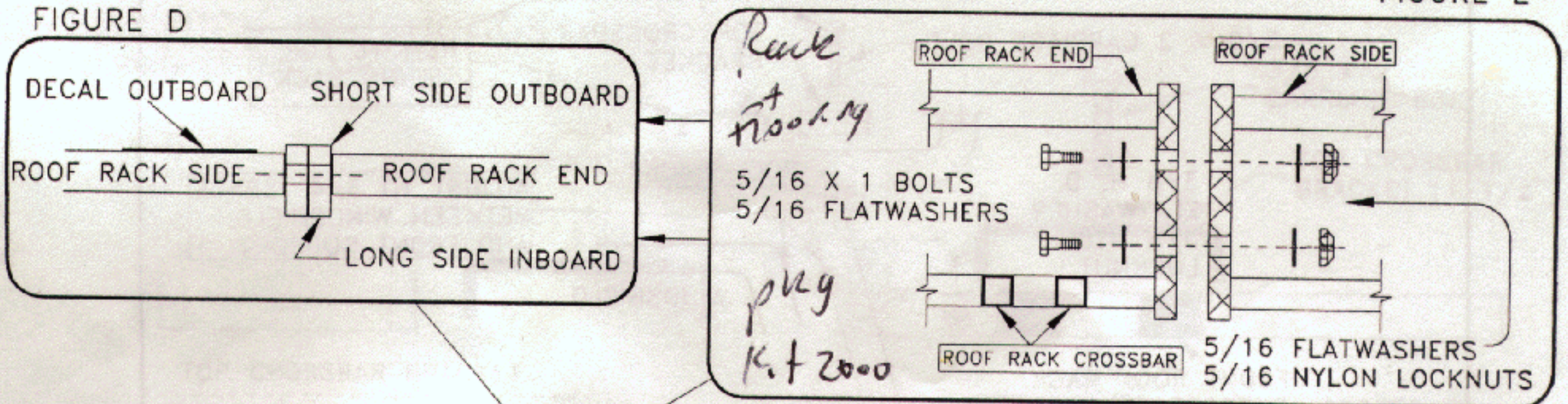


FIGURE H

