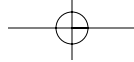


**Thank you** for purchasing Infinity's Reference Series multi-element automotive loudspeakers. We've organized this manual to make their installation as simple and trouble-free as possible. Please read it thoroughly before proceeding. Remember to keep your sales receipt with this manual in a safe place so both are available for future reference.



reference series  
452i, 552i, 652i,  
6952i, 6953i,  
3052cf, 4652cf,  
4652cfp, 5752cf  
instructions



**IMPORTANT:** Installation of automotive stereo components can require extensive experience with a variety of mechanical and electrical procedures. Although these instructions explain how to install Reference Series speakers in a general sense, they do not show the exact installation methods for your particular vehicle. If you do not feel you have the experience, do not attempt the installation yourself, but instead ask your authorized Infinity car-audio dealer about professional installation options.

**WARNING:** Playing loud music in an automobile can permanently damage your hearing, as well as hinder your ability to hear traffic. The maximum volume levels achievable with Infinity speakers, combined with high power amplification, may exceed safe levels for extended listening. We recommend using low volume levels when driving. Infinity accepts no liability for hearing loss, bodily injury, or property damage as a result of use or misuse of this product.

### INSTALLATION WARNINGS AND TIPS

- Always wear protective eyewear when using any tools.
- Turn off all audio components and other electrical devices before you start. Disconnect the (-) negative lead from your vehicle's battery.
- Keep speakers in their package until final installation. When moving a speaker, always rest it with the cone or dome facing up. Never use force to install any speaker.
- Check clearances on both sides of a planned mounting surface before drilling any holes or installing any screws. Remember that the screws can extend behind the surface.
- At the installation sites, locate and make a note of all fuel lines, hydraulic brake lines, vacuum lines and electrical wiring. Use extreme caution when cutting or drilling in and around these areas.

**CAUTION:** In some cars, fuel tanks may be located directly beneath the rear deck. Check for adequate speaker basket clearance before considering this location!

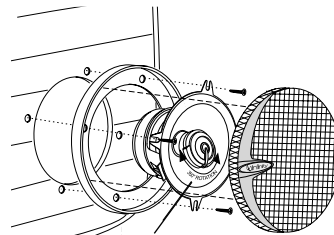
- Before drilling or cutting holes, use a utility knife to remove unwanted fabric or vinyl, to keep material from snagging in a drill bit or saw.
- For door installations, check the clearance with the windows throughout the range of the window's travel, and verify that a mounted speaker will not interfere with the window crank or power window mechanism.
- If mounting speakers elsewhere, check for clearance around rear deck torsion bars, glove box or other structural elements.
- Do not mount speakers where they will get wet.

### INSTALLATION

Figure 1. Mounting the 452i, 552i, 6952i, 6953i, 3052cf and 5752cf.

*NOTE: The 3052cf and 5752cf speakers are designed to be installed under factory grilles. Consequently, no grilles are packaged with these models.*

*NOTE: If you are mounting the 5752cf in a 6" x 8" location, use the adapter provided.*

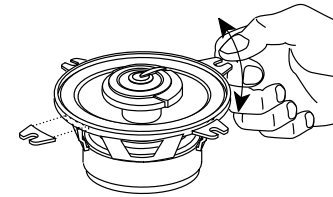


ROTATE TWEETER SO IT IS ANGLED TOWARD THE LISTENER USING THE "UNIPIVOT" FEATURE ON THE 552i, 652i, 5752cf AND 6952i

### MODIFICATIONS

Figure 2. Modifying the 452i to be installed in locations requiring fewer than 4 mounting "ears."

*NOTE: Bend tab back and forth to detach it from the speaker.*

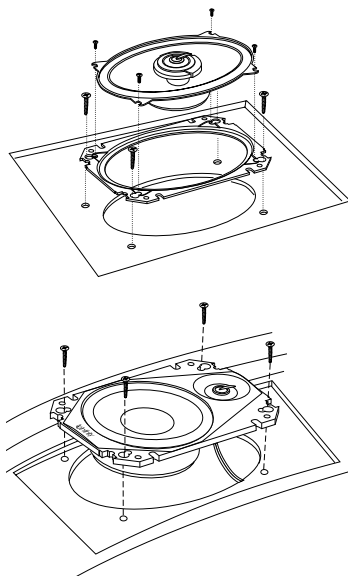


### MOUNTING

Figure 3.  
Mounting the 4652cf and 4652cfp.

*NOTE: The 4652cf and 4652cfp are designed to be installed under factory grilles. Consequently, no grilles are packaged with these models.*

*NOTE: If you are replacing a DIN (oval basket) 4" x 6" speaker with a 4652cf, remove the speaker from the mounting bracket as shown in Figure 3.*



### MOUNTING

Figure 4.  
Mounting the 652i with the grille.

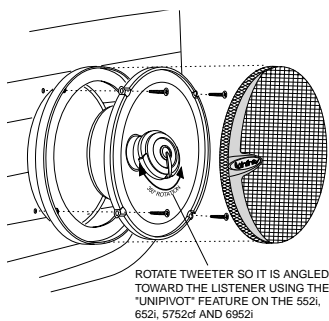
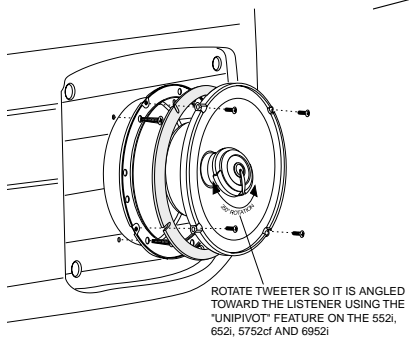
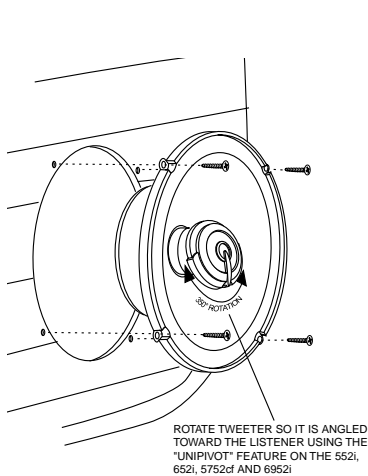


Figure 5.  
Mounting the 652i in standard speaker locations.



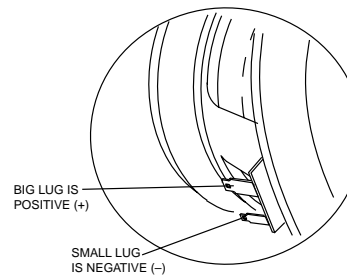
### MOUNTING

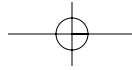
Figure 6.  
Mounting the 652i in 165mm speaker locations.



### CONNECTING

Figure 7.  
Connect the speakers to the amplifier observing proper polarity.





**SPECIFICATIONS**

**452i**  
 Type: 4" 2-Way  
 Speaker Impedance: 4 Ohms  
 Power Handling: 35W RMS, 105W Peak  
 Frequency Response: 90Hz – 20kHz  
 Sensitivity: 92dB  
 Mounting Depth: 1-7/8" (48mm)  
 Cut-out Diameter: 3-3/4" (96mm)

**552i**  
 Type: 5-1/4" 2-Way  
 Speaker Impedance: 4 Ohms  
 Power Handling: 45W RMS, 135W Peak  
 Frequency Response: 72Hz – 20kHz  
 Sensitivity: 92dB  
 Mounting Depth: 2-1/4" (58mm)  
 Cut-out Diameter: 4-5/8" (118mm)

**652i**  
 Type: 6-1/2" 2-Way  
 Speaker Impedance: 4 Ohms  
 Power Handling: 60W RMS, 180W Peak  
 Frequency Response: 54Hz – 20kHz  
 Sensitivity: 92dB  
 Mounting Depth: 2-1/16" (53mm)  
 Cut-out Diameter: 5" (127mm)

**6952i**  
 Type: 6" x 9" 2-Way  
 Speaker Impedance: 4 Ohms  
 Power Handling: 100W RMS, 300W Peak  
 Frequency Response: 51Hz – 20kHz  
 Sensitivity: 92dB  
 Mounting Depth: 2-7/8" (74mm)  
 Cut-out Diameter: 6" x 8-3/4" (153mm x 223mm)

**6953i**  
 Type: 6" x 9" 3-Way  
 Speaker Impedance: 4 Ohms  
 Power Handling: 100W RMS, 300W Peak  
 Frequency Response: 51Hz – 21kHz  
 Sensitivity: 92dB  
 Mounting Depth: 2-7/8" (74mm)  
 Cut-out Diameter: 6" x 8-3/4" (153mm x 223mm)

**3052cf**  
 Type: 3-1/2" 2-Way  
 Speaker Impedance: 4 Ohms  
 Power Handling: 25W RMS, 75W Peak  
 Frequency Response: 90Hz – 20kHz  
 Sensitivity: 92dB  
 Mounting Depth: 1-7/16" (37mm)  
 Cut-out Diameter: 3-1/16" (78mm)

**4652cf**  
 Type: 4" x 6" 2-Way  
 Speaker Impedance: 4 Ohms  
 Power Handling: 35W RMS, 105W Peak  
 Frequency Response: 77Hz – 20kHz  
 Sensitivity: 92dB  
 Mounting Depth: 2-1/16" (53mm)  
 Cut-out Diameter: 3-5/8" x 5-5/8" (93mm x 143mm)

**4652cfp**  
 Type: 4" x 6" 2-Way Plate  
 Speaker Impedance: 4 Ohms  
 Power Handling: 40W RMS, 120W Peak  
 Frequency Response: 77Hz – 20kHz  
 Sensitivity: 91dB  
 Mounting Depth: 1-15/16" (50mm)  
 Cut-out Diameter: 3-5/8" x 5-5/8" (93mm x 143mm)

**5752cf**  
 Type: 5" x 7" 2-Way  
 Speaker Impedance: 4 Ohms  
 Power Handling: 60W RMS, 180W Peak  
 Frequency Response: 54Hz – 20kHz  
 Sensitivity: 92dB  
 Mounting Depth: 2-3/8" (61mm)  
 Cut-out Diameter: 5" x 7-1/4" (127mm x 185mm)

Infinity Systems, Inc. • 250 Crossways Park Drive  
 Woodbury, NY 11797 USA • (800) 553-3332 • FAX (516) 682-3523  
 P/N: REFSEROM  
 **H** A Harman International Company

**DECLARATION OF CONFORMITY**

**CE**

We, Infinity Systems A/S  
 Kongevejen 194B  
 DK-3400 Birkerød  
 DENMARK

declare in own responsibility, that the products described in this owner's manual are in compliance with technical standards:  
 EN 50081-1:1992  
 EN 50082-1:1992

*Steen Michælson*  
 Steen Michælson  
 Infinity Systems A/S  
 Birkerød, DENMARK, 1299

